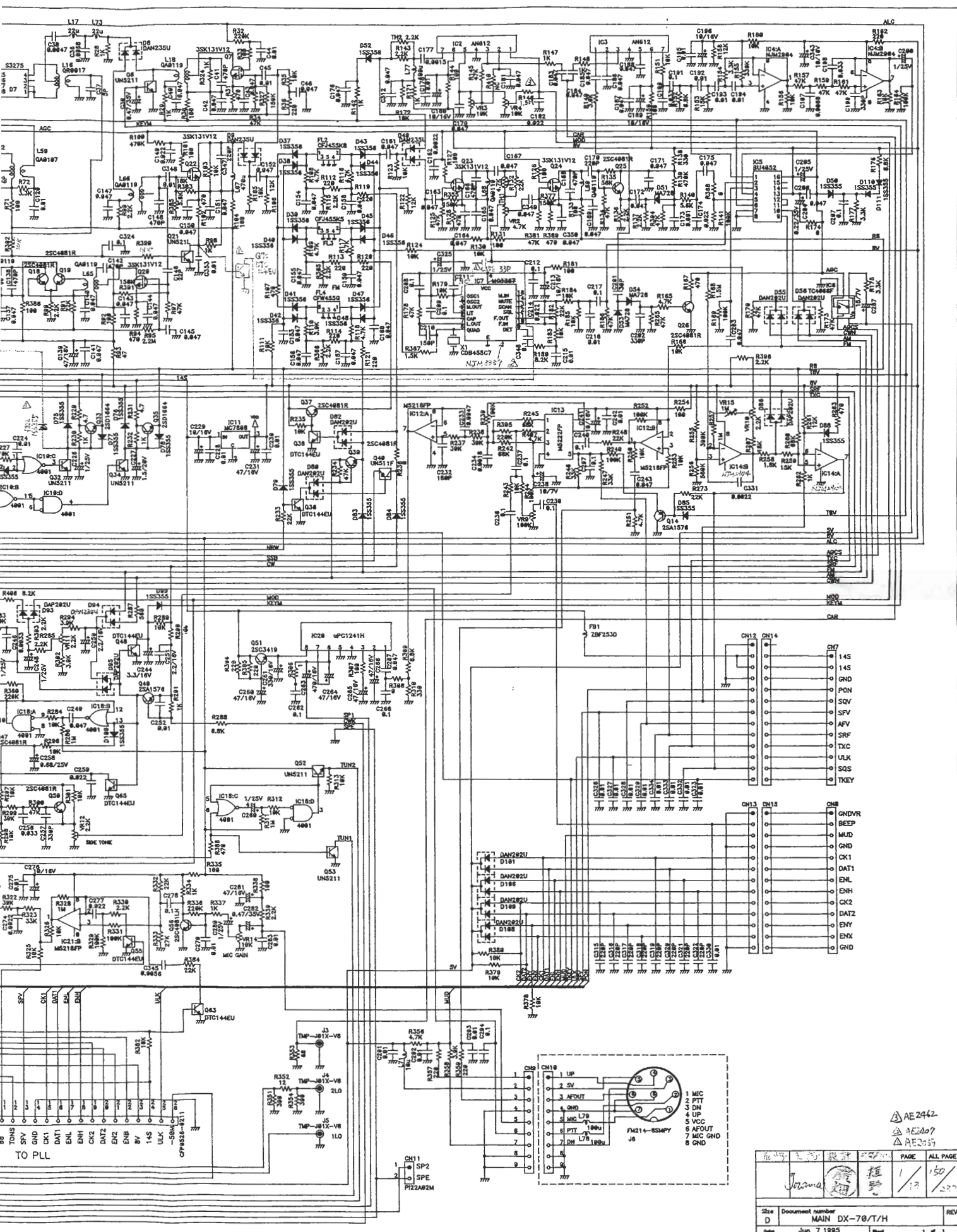


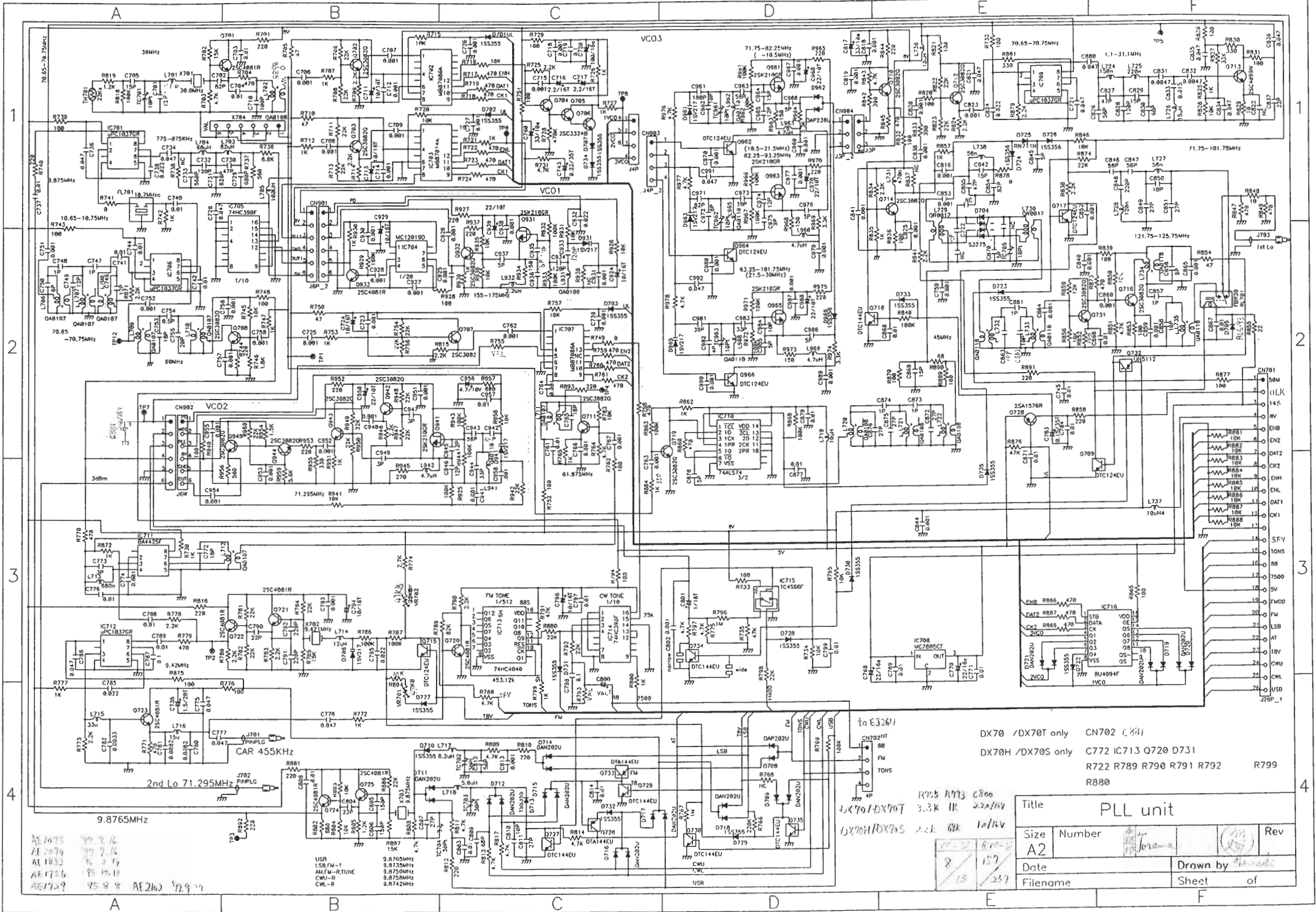
AE2442
 AE2409
 AE2019

Doc	Doc Number	Rev	ALL PAGE
D	MAIN DX-787/H	1	1/1
Rev	Jan 7 1983		



Δ AE242
 Δ AE247
 Δ AE259

REV	DATE	DESCRIPTION	PAGE	ALL PAGE
D	Jun 7 1995	MAIN DX-70/T/H	150	227



Title		PLL unit	
Size	A2	Number	1012-a
Date	10/14/4	Drawn by	M. M. M.
Filename		Sheet	1 of 1

DX70 /DX70T only
 DX70H /DX70S only

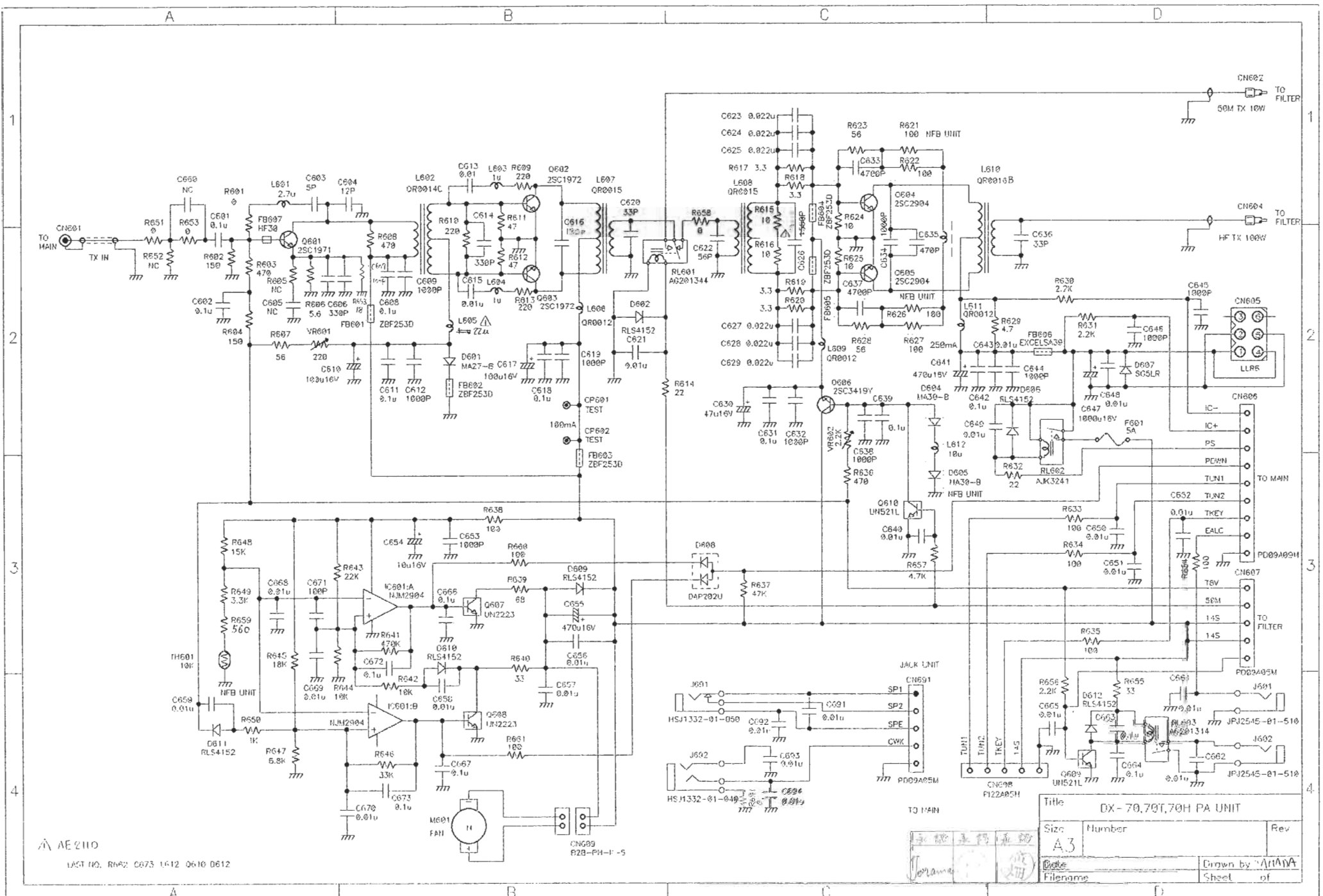
IC702 C841
 C772 IC713 Q720 D731
 R722 R789 R790 R791 R792 R799
 R880

R765 R773 C800
 4X70/DX70T 3.3K 1K 220/10V
 4X70H/DX70S 2.2K 68K 10/14V

AE1795 77.7K
 AE1796 77.7K
 AE1832 75.3K
 AE1782 75.3K
 AE1729 75.8K AE1210 77.9K

USR
 LSB-FM-T
 AN-FM-R-TUNE
 CWI-R
 CWI-R

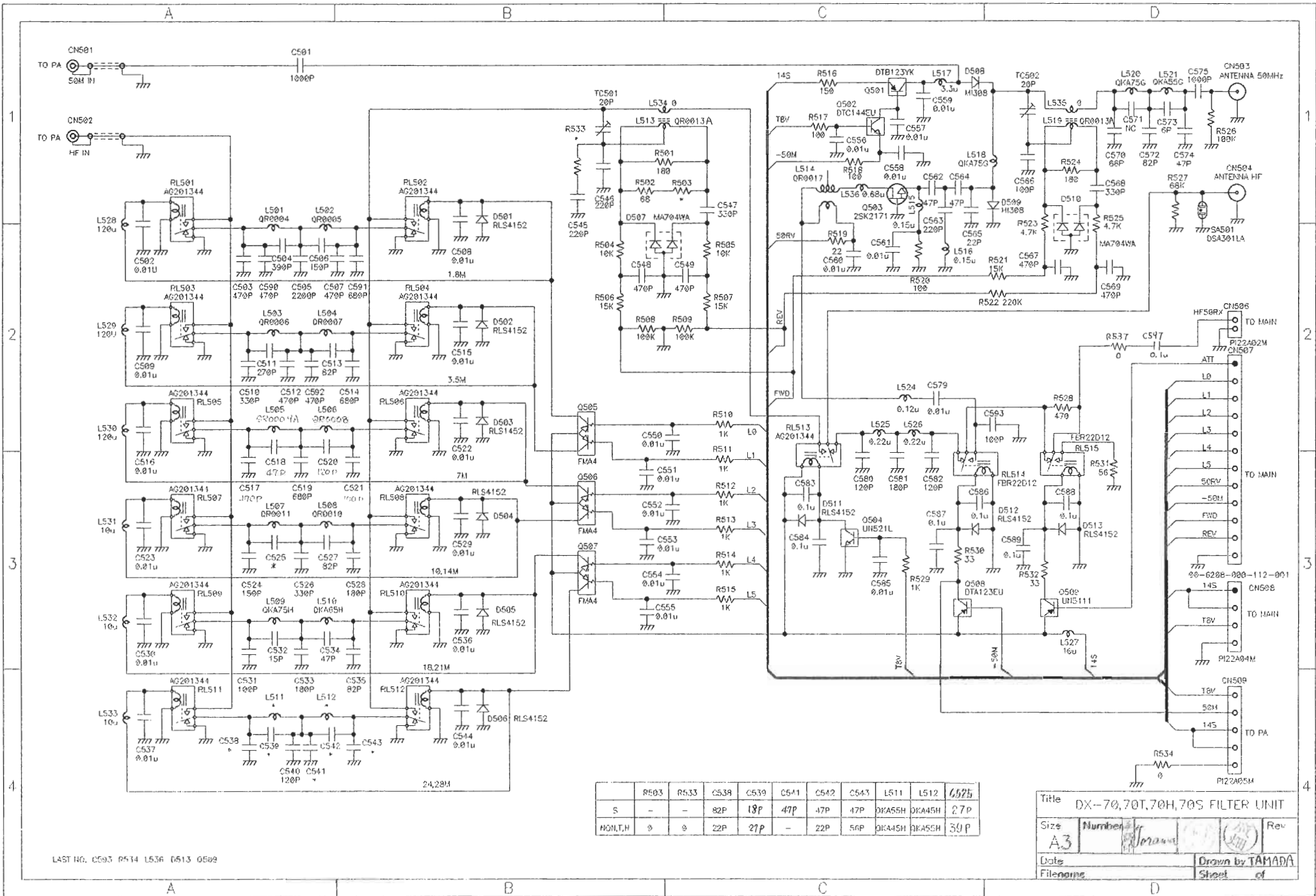
0.8750MHz
 0.8755MHz
 0.8750MHz
 0.8755MHz
 0.8742MHz



AE 2110
 LAST NO. RNF# C673 1-412 Q610 D612

Title		DX-70, 70T, 70H PA UNIT	
Size	A3	Number	159
Date	10/15/97	Drawn by	ANANA
Filename		Sheet	13 of 237

10/15/97
 13/237



LAST NO. C503 R514 L536 D513 Q509

	R503	R533	C539	C539	C541	C542	C543	L511	L512	C525
S	-	-	82P	18P	47P	47P	47P	0KA55H	0KA45H	27P
HON.T.H	0	0	22P	27P	-	22P	56P	0KA45H	0KA55H	30P

Title	DX-70, 70T, 70H, 70S FILTER UNIT		
Size	A3	Number	Rev
Date		Drawn by	TAMADA
Filename		Sheet	of

12-81
18-27

