

YAESU

The radio

GS-050 THRUST BEARING

The GS-050 is designed to a highly reliable single-component trust (mast/stay) bearing also enhance the safety of an antenna system.

Accepts masts up to 50-mm diameter.

The housing consists of highly corrosion-resistant diecast aluminum with a baked enamel finish.

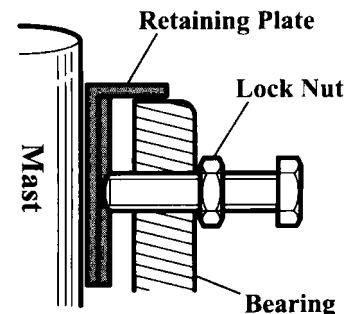
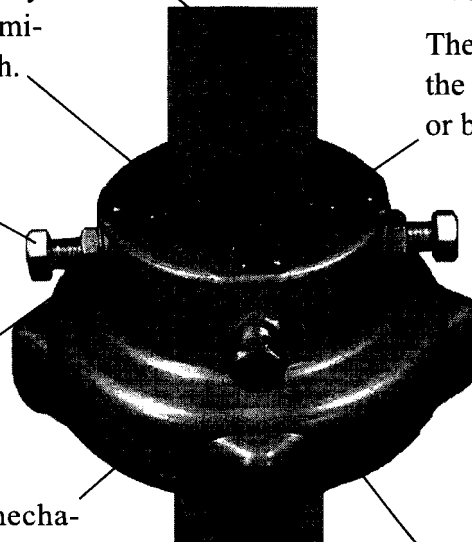
Hardened mounting bolts.

Lock nuts ensure reliable mast attachment.

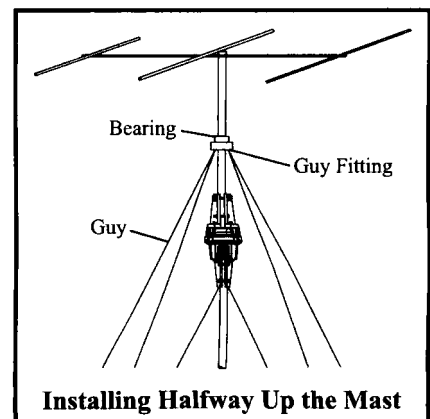
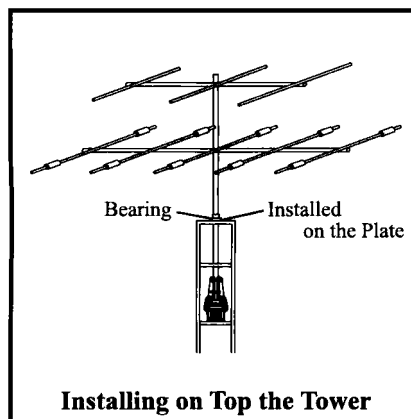
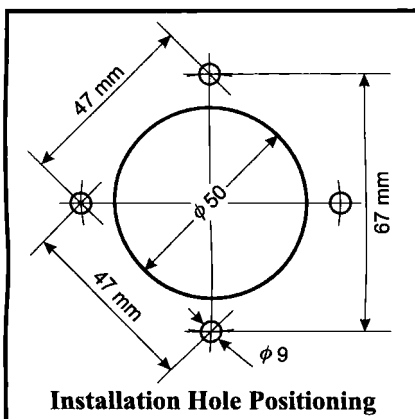
Reliable two-level bearing mechanism and metallic molybdenum grease (black) provides a practically unlimited useful life.

A retaining plate mechanism changes the nature of the contact with the mast from point to surface contact.

The result is significant reduction in the potential for the mast to break or become corroded.



Grooves for installing guy attachment fitting allow easy tightening.



YAESU MUSEN CO., LTD.
Tennozu Parkside Building
2-5-8 Higashi-Shinagawa, Shinagawa-ku, Tokyo 140-0002 Japan

YAESU USA
6125 Phyllis Drive, Cypress, CA 90630, U.S.A.

YAESU UK LTD.
Unit 12, Sun Valley Business Park, Winnall Close
Winchester, Hampshire, SO23 0LB, U.K.

Maximum Mast Diameter: 50 mm

Weight: Approx. 800 g

Material: Corrosion-resistant Diecast Aluminum

Accessories:

Guy Attachment	4 pieces
Retaining Plate	4 pieces
Hexagonal Bolts (M8 x 16)	4 pieces
Spring Washer (8 mm)	4 pieces



E00607002

IMPORTANT NOTICE

Please read this manual carefully before starting installation.

MEANING OF SYMBOLS



WARNING

Indicates Personal injury, fire hazard, or electric shock is highly likely to occur.



CAUTION

Indicates Personal injury, fire hazard, or electric shock may occur.

MEANING OF SYMBOLS USED IN DIAGRAMS



This symbol indicates an action that **must be performed** to maintain safe operation.



This symbol indicates an action that **must be avoided** to maintain safe operation.

⚠ WARNING ⚠



Please read the manual thoroughly and familiarize yourself with the correct installation procedure before starting installation.

Installing this product requires work to be undertaken high above ground. Performing work with which you are unfamiliar can lead to fatal accidents due to falling.

Similarly, failing to install this product correctly can be a cause of the antenna and associated equipment to collapse, resulting in a fatal accident or damage to buildings or other property. Accordingly, always check all safety considerations before starting work.



Always wear a safety harness when working high above ground.

Failure to use a safety harness can be a cause of death or serious injury.



Ensure that the bolts and other fasteners used for installation are tightened securely.

Failure to tighten bolts and other fasteners sufficiently can cause the antenna and associated equipment to collapse, resulting in a fatal accident or damage to buildings or other property.



When working high above ground, ensure that there are no people directly below you.

Dropping tools, bolts, or other parts could result in death or serious injury.