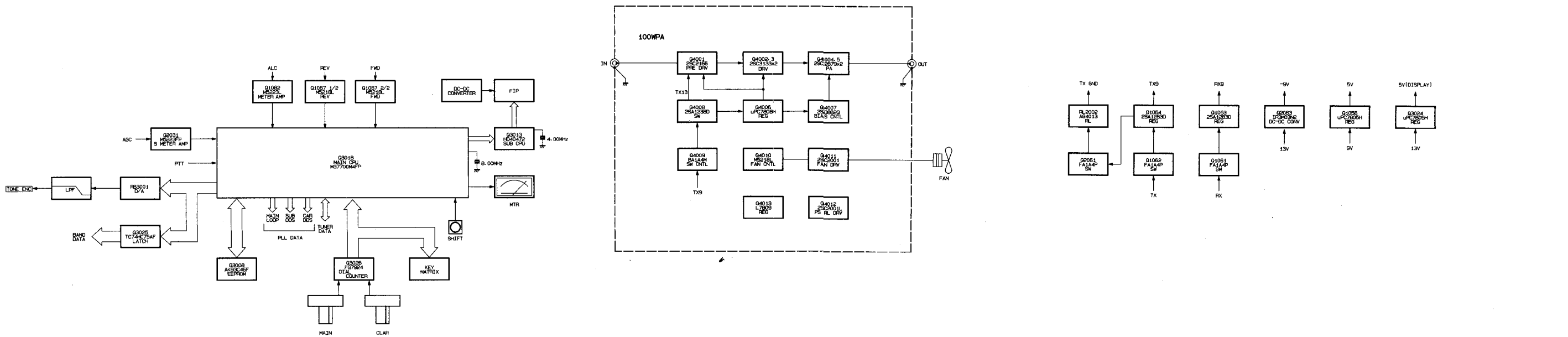
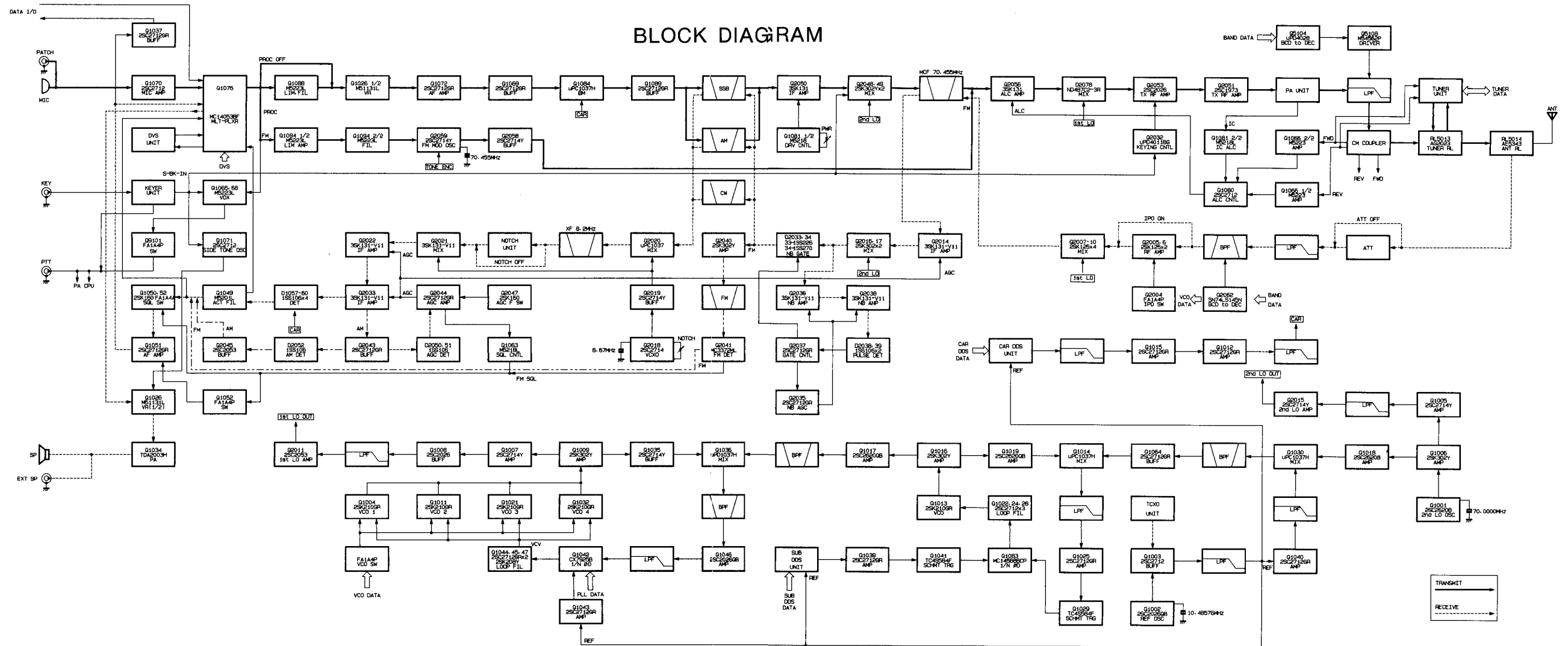
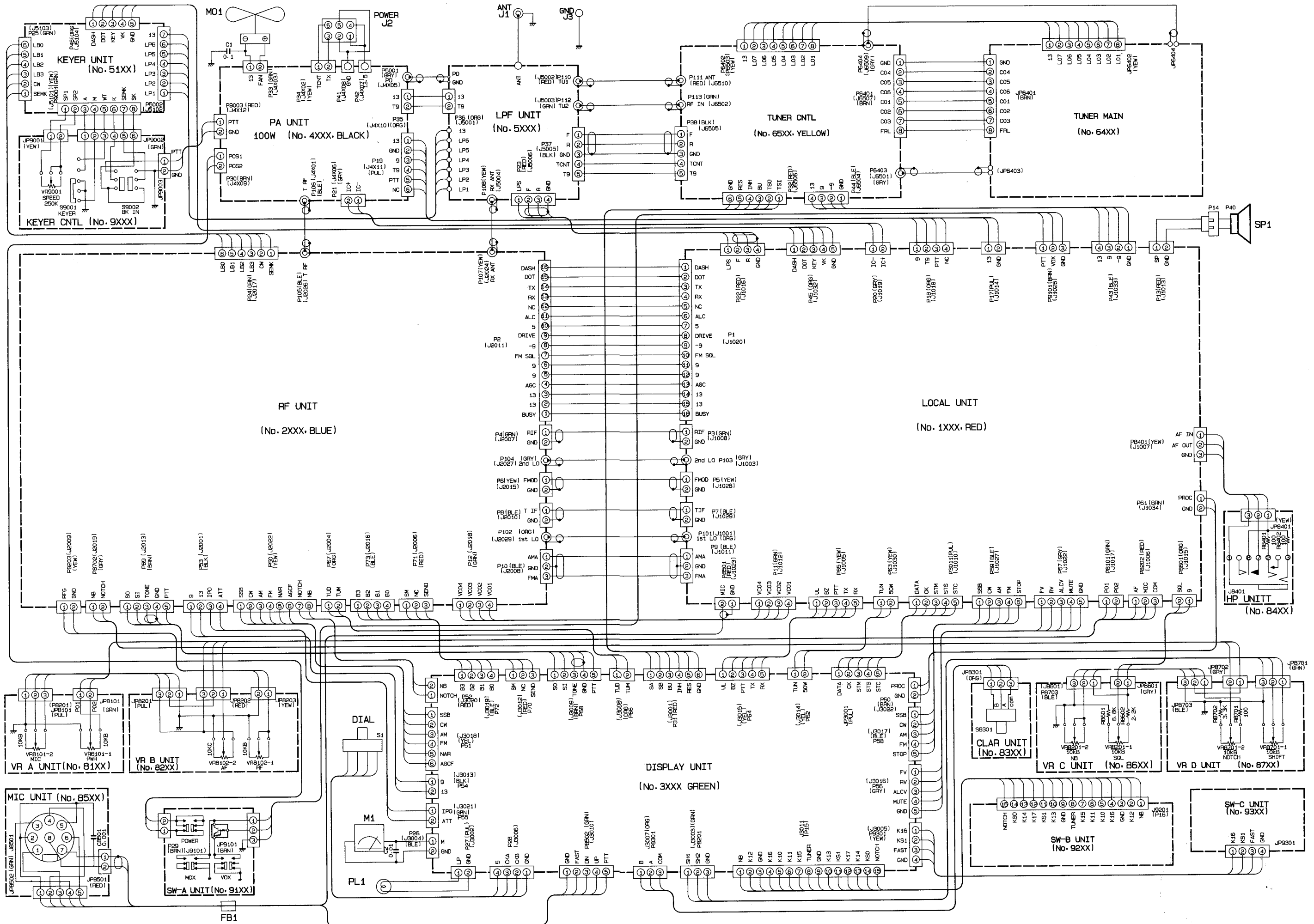


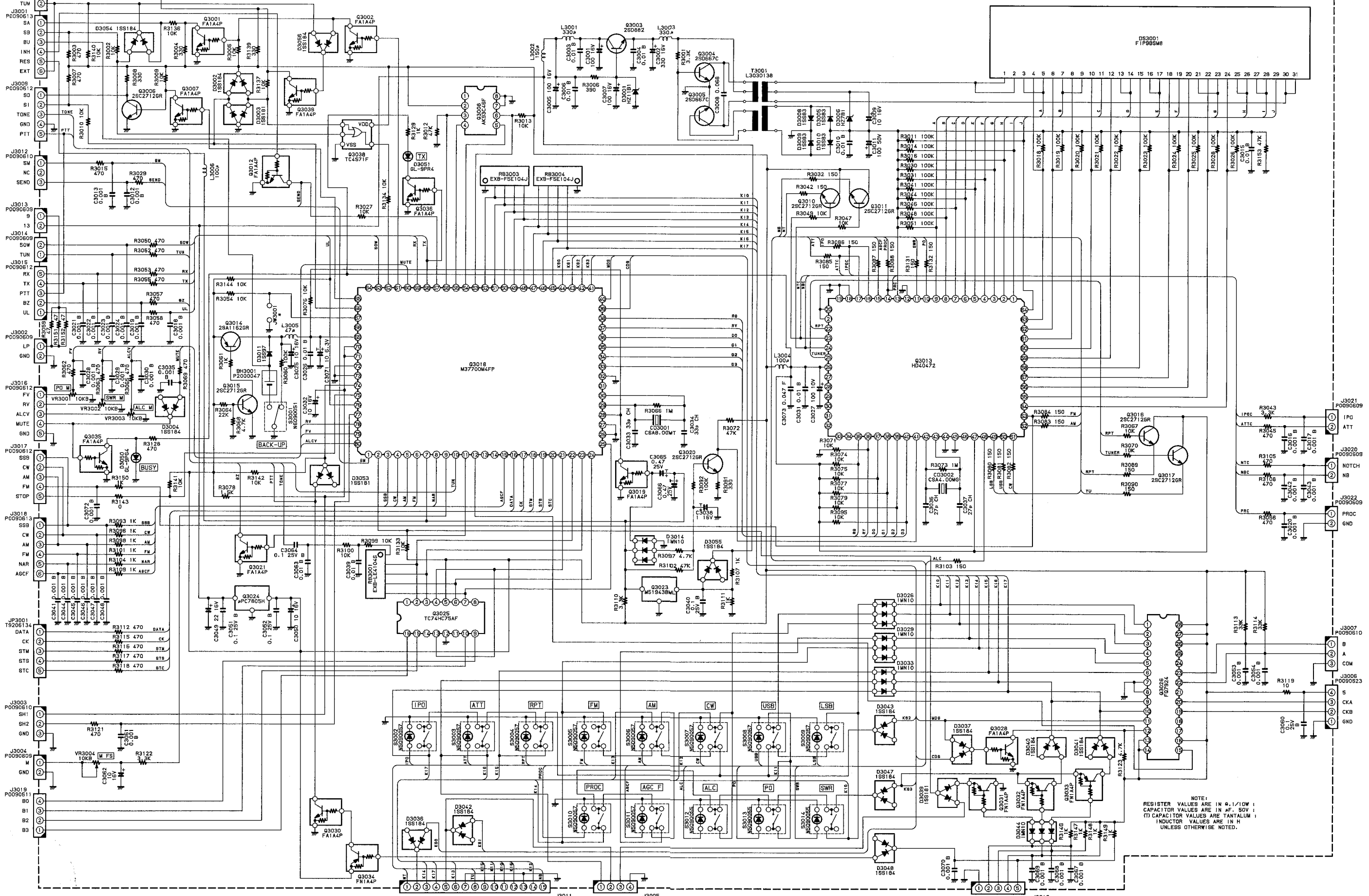
BLOCK DIAGRAM



CONNECTION DIAGRAM



DISPLAY UNIT



NOTE:
RESISTOR VALUES ARE IN OHMS UNLESS OTHERWISE NOTED;
CAPACITOR VALUES ARE IN P.F. UNLESS OTHERWISE NOTED;
INDUCTOR VALUES ARE IN H. UNLESS OTHERWISE NOTED.

LOCAL UNIT

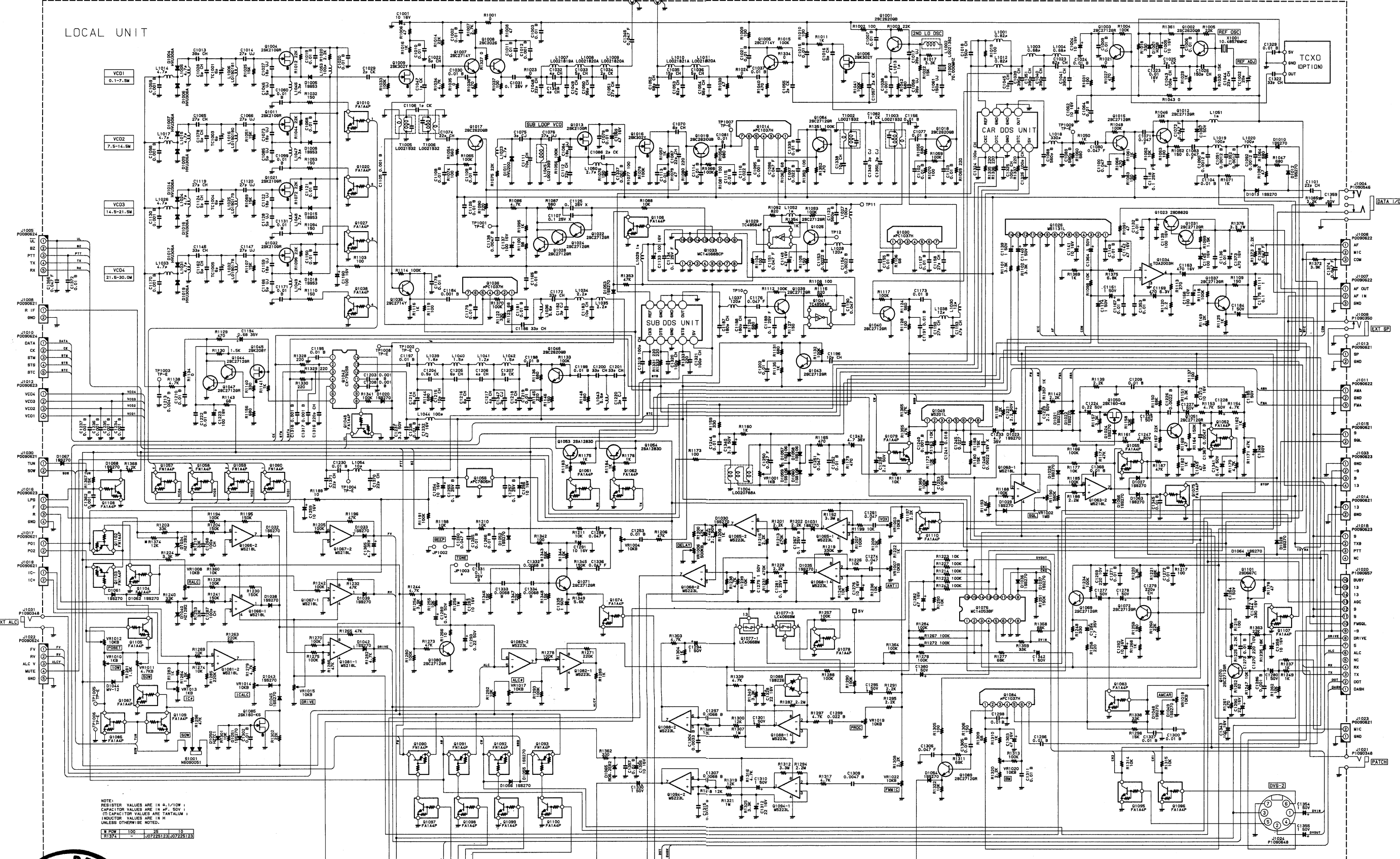
1ST LO 2ND LO
P100035 P100036

VCD1
0.1-7.5M

VCD2
7.5-14.5M

VCD3
14.5-21.5M

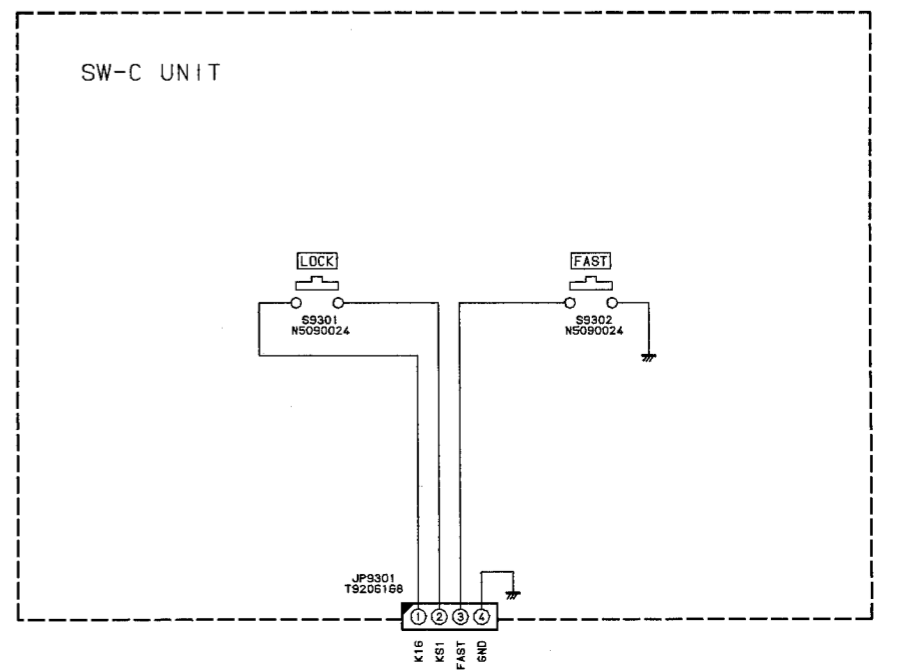
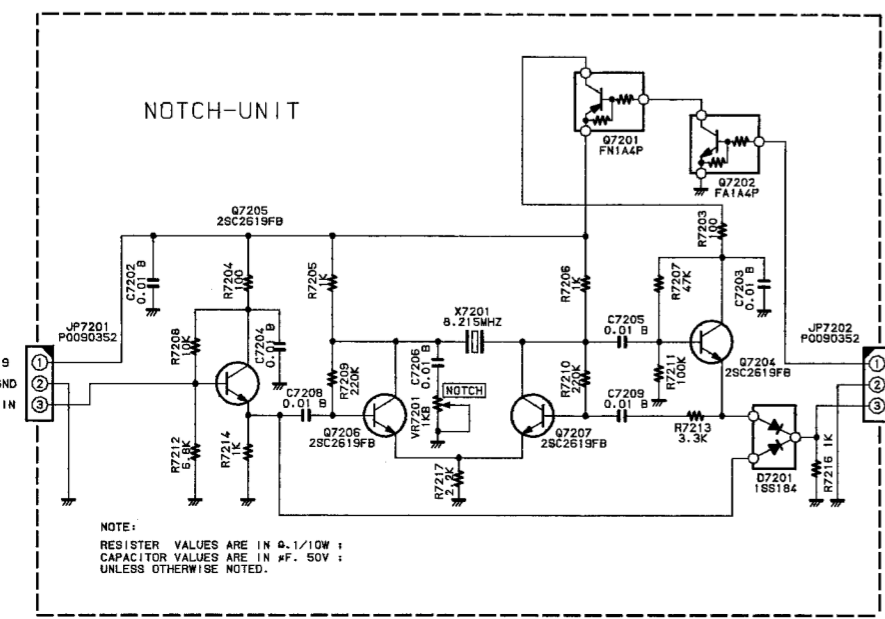
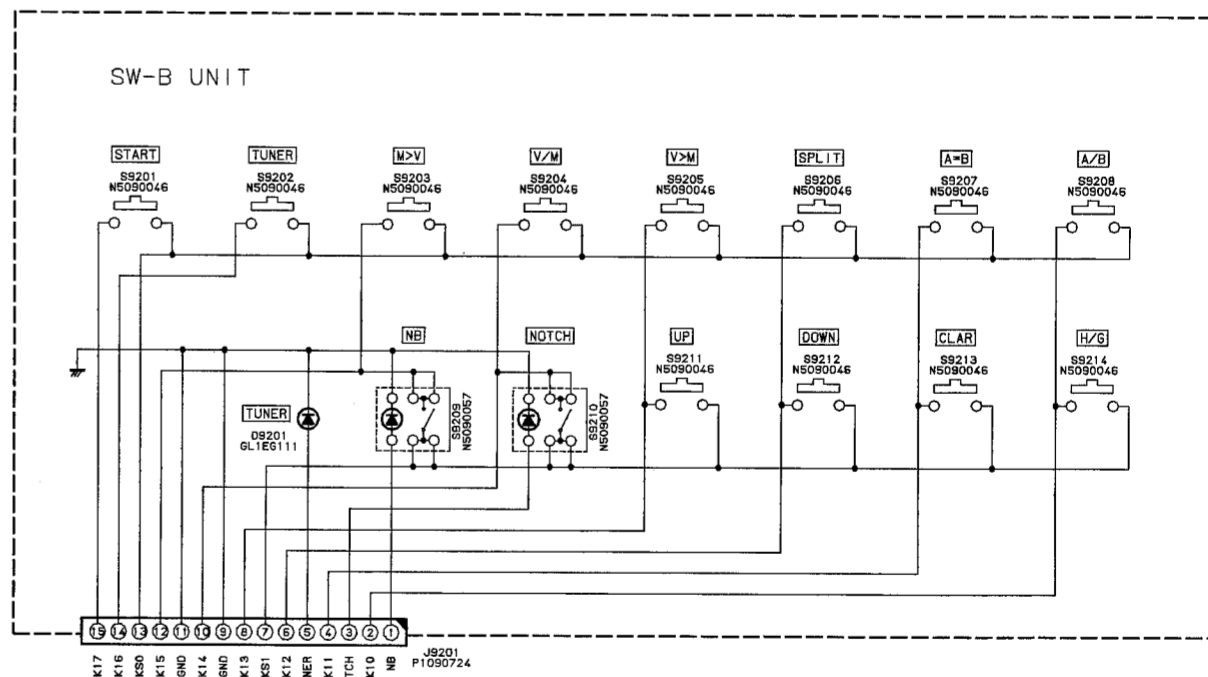
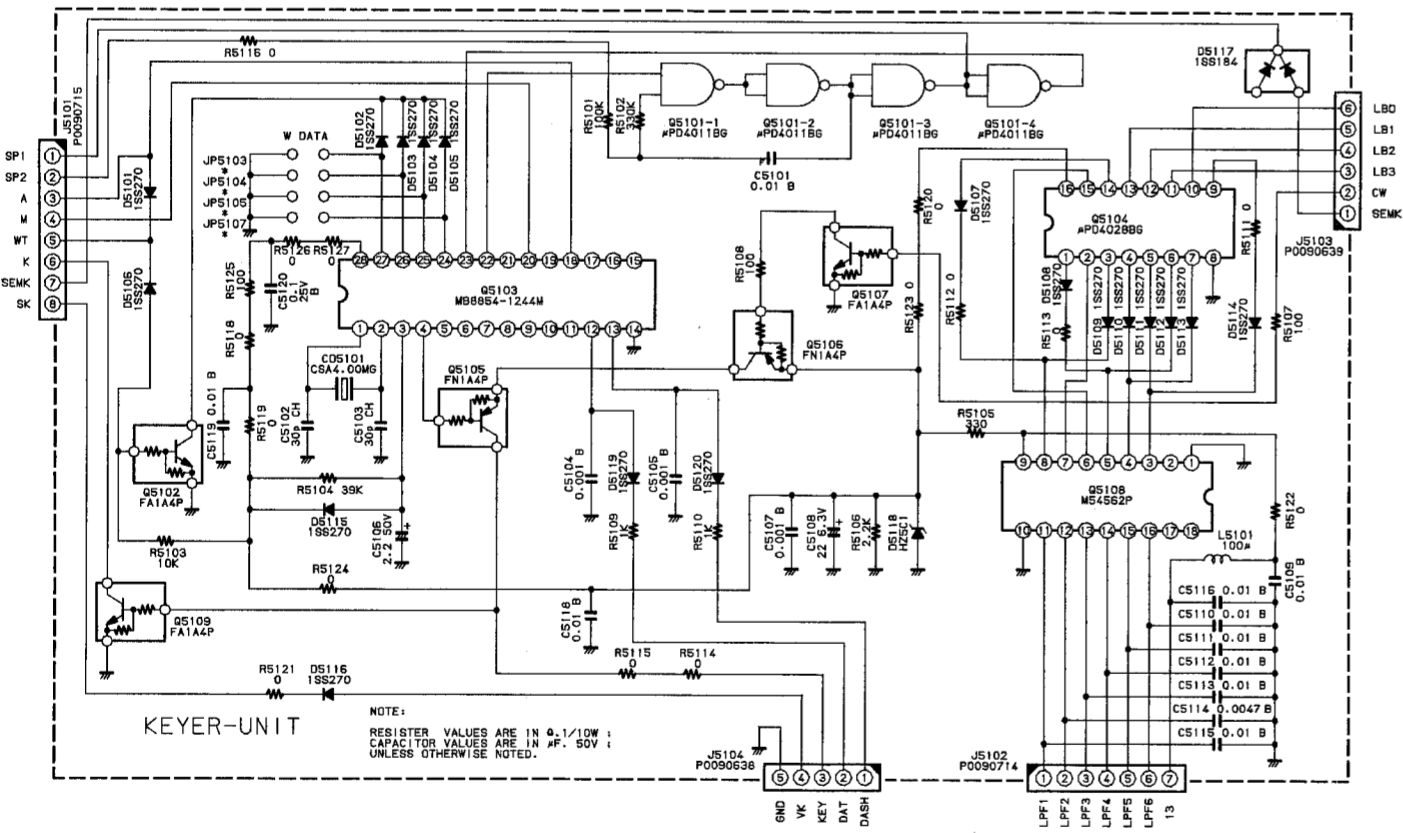
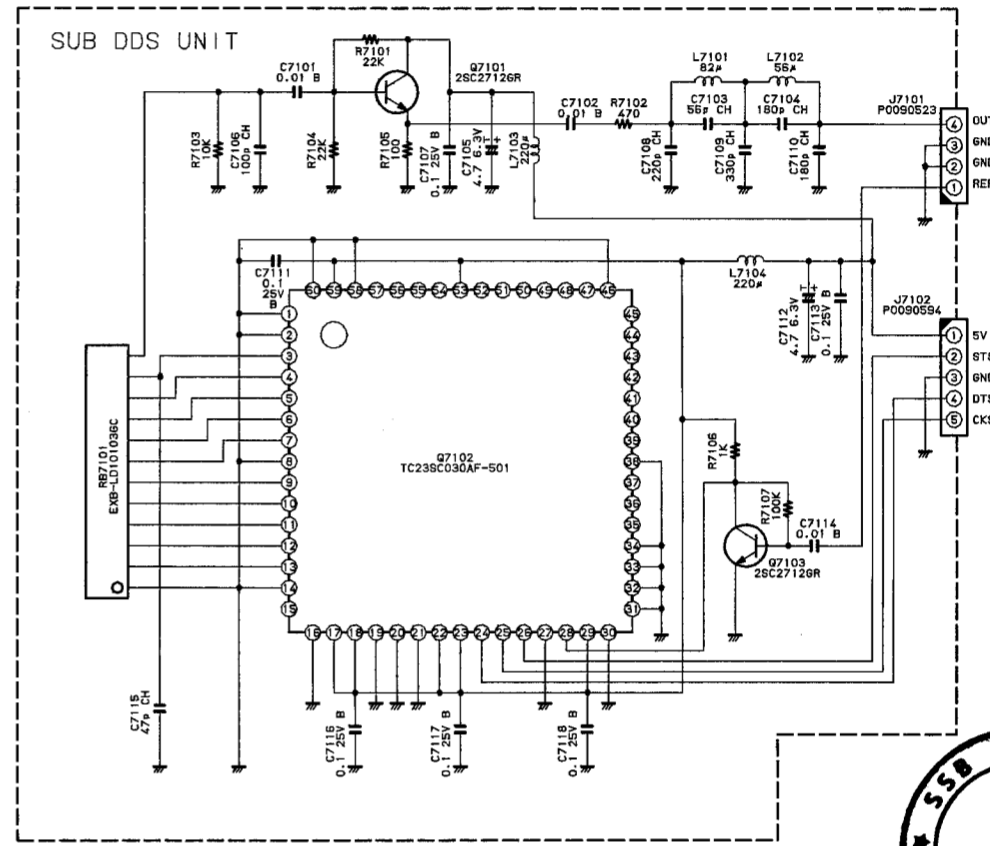
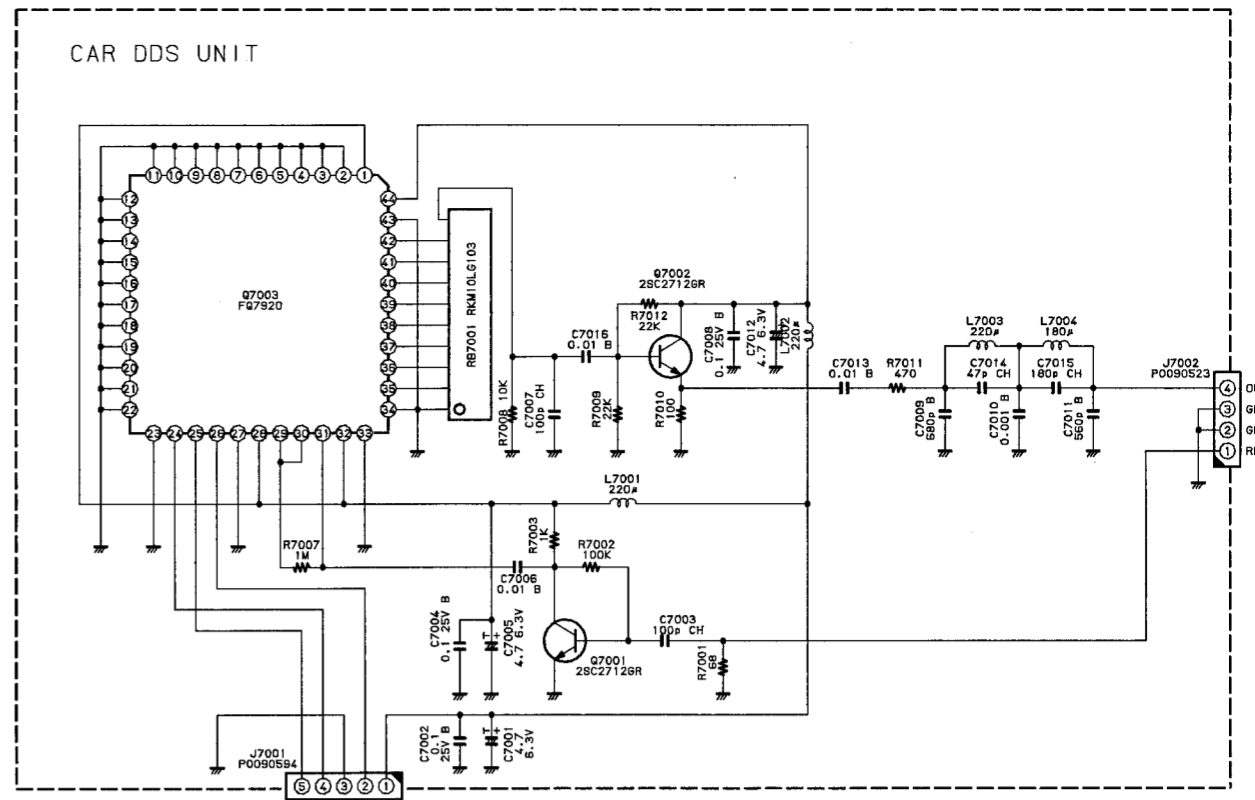
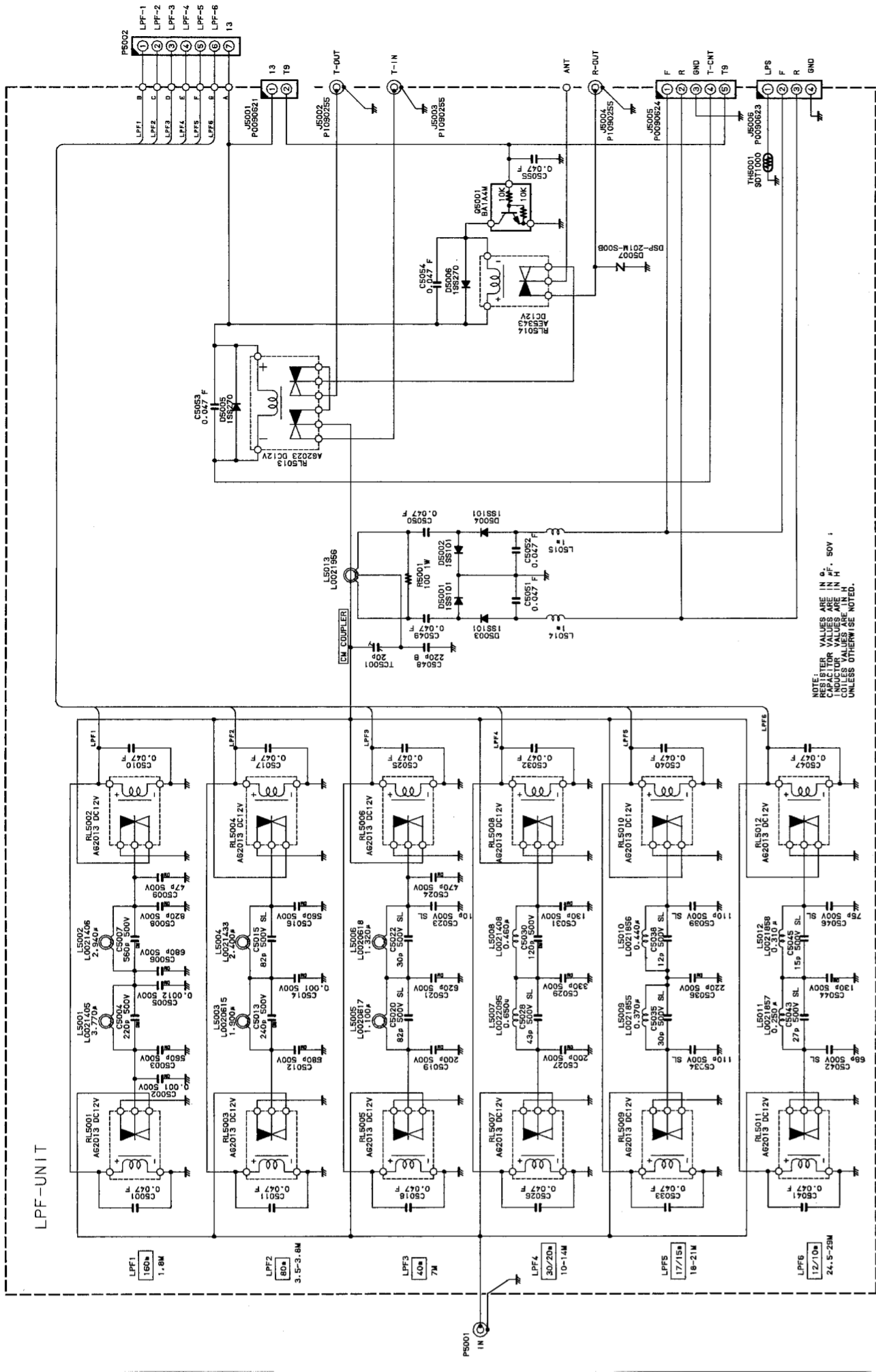
VCD4
21.5-30.0M



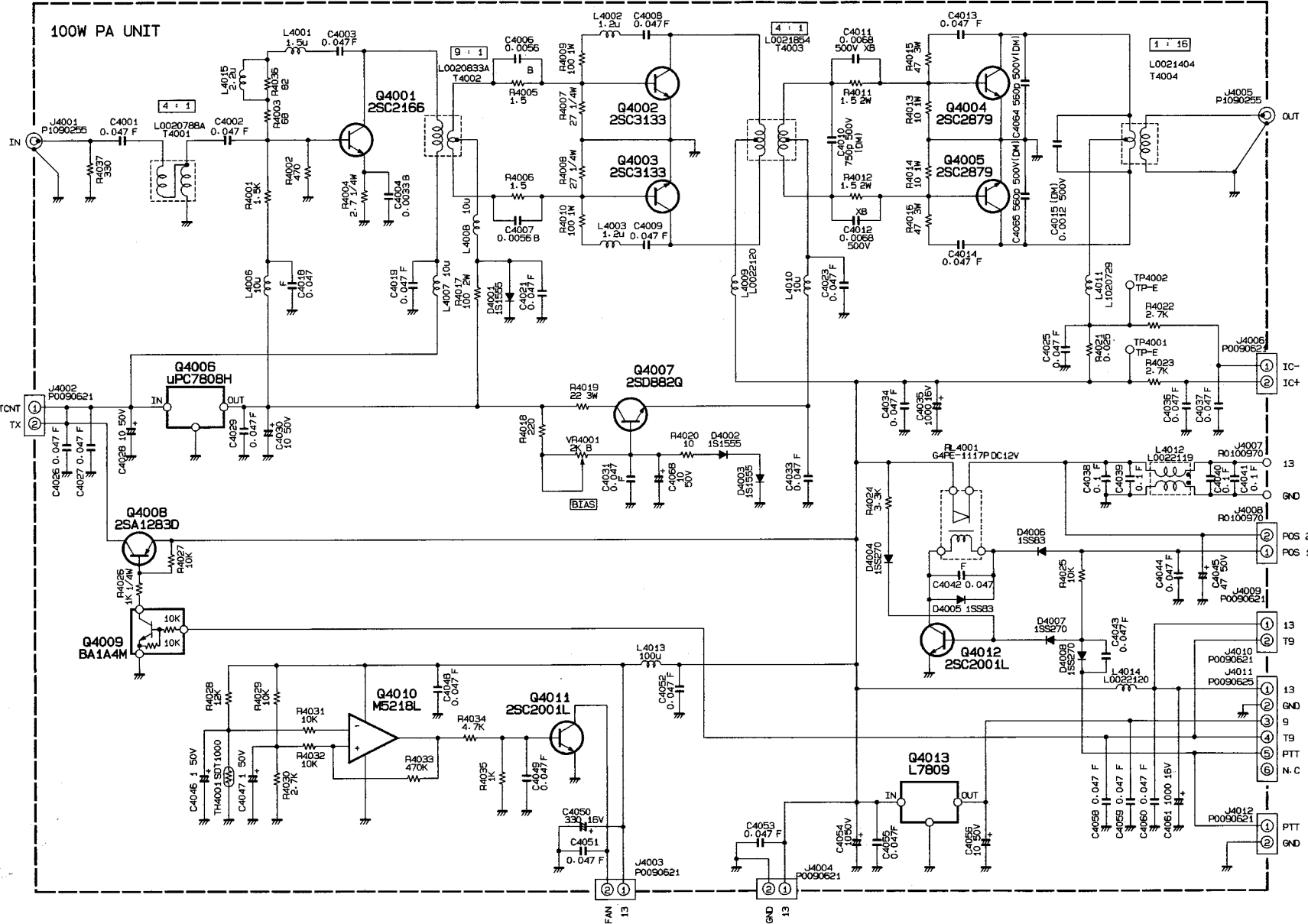
NOTE:
RESISTOR VALUES ARE IN OHMS UNLESS OTHERWISE NOTED.
CAPACITOR VALUES ARE IN P.F. UNLESS OTHERWISE NOTED.
CAPACITOR VALUES ARE TANTALUM.

R1374	100	25	10
J02225123 J02225123			





100W PA UNIT



FAN 13

GN 13

PTT 13

FTT 9

T9 9

13 13

T9 9

POS 2 13

POS 1 13

GN 9

13 13

IC- 13

IC+ 13

J4006 13

P0090621 13

TP-F 13

TP-E 13

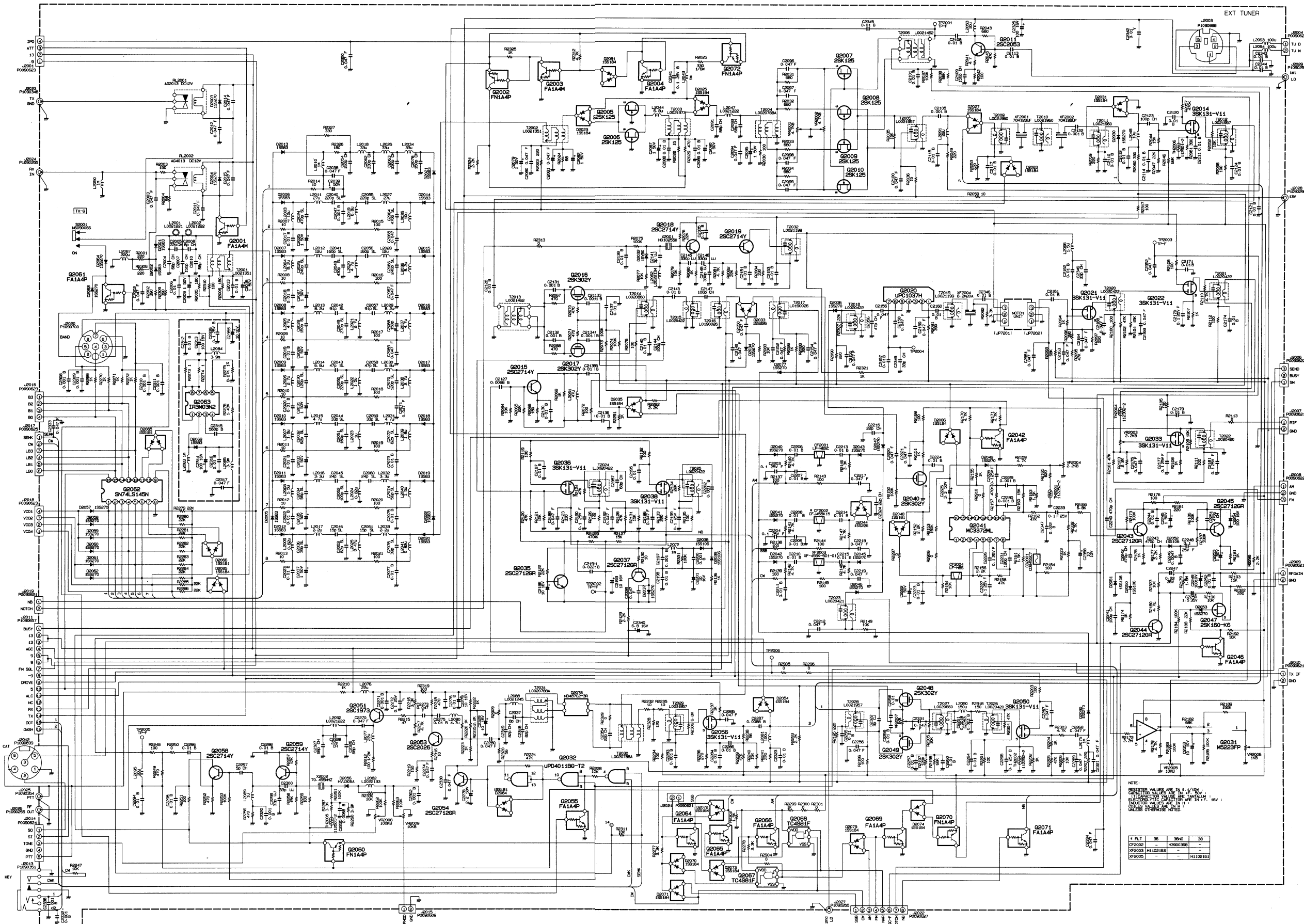
TP-G 13

13 13

13 13

OUT 13

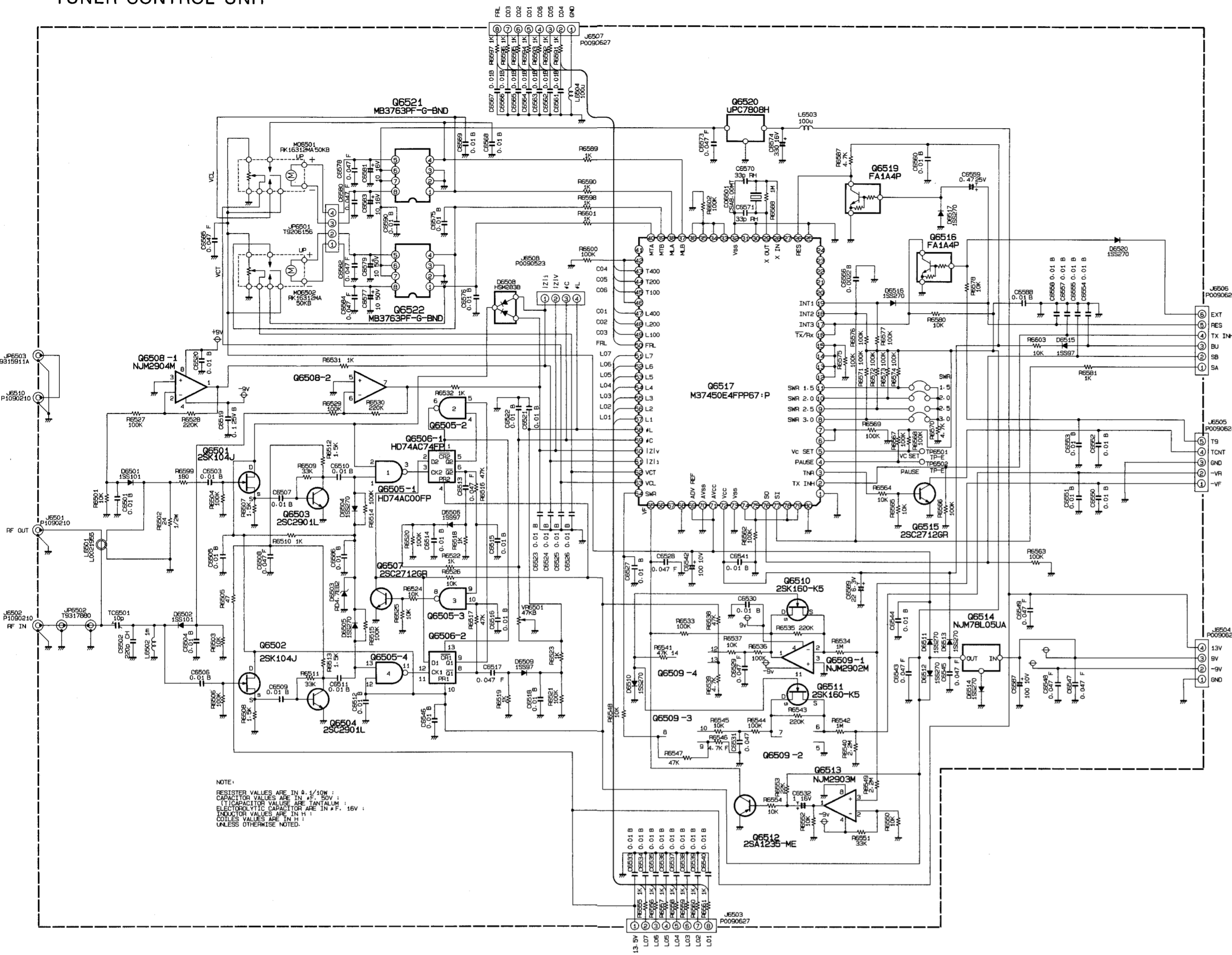
RF UNIT



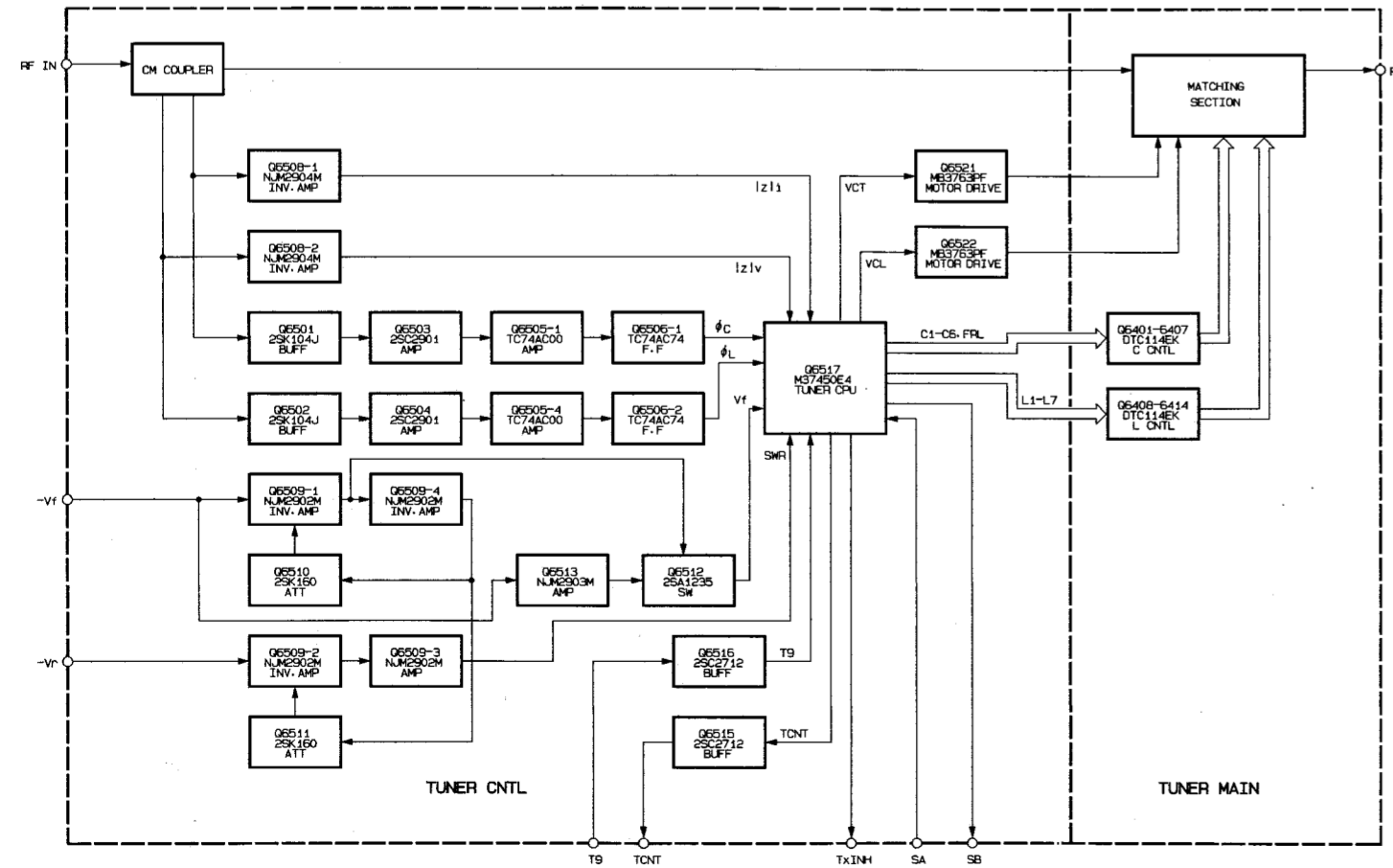
NOTE:
 1. ALL PARTS ARE TO BE USED AS SHOWN UNLESS OTHERWISE SPECIFIED.
 2. ALL DIMENSIONS ARE IN MILLIMETERS UNLESS OTHERWISE SPECIFIED.
 3. ALL SURFACE MOUNTED COMPONENTS ARE TO BE USED UNLESS OTHERWISE SPECIFIED.
 4. ALL DIMENSIONS ARE TO CENTER UNLESS OTHERWISE SPECIFIED.
 5. ALL DIMENSIONS ARE TO CENTER UNLESS OTHERWISE SPECIFIED.

REF	QTY	DESCRIPTION	REVISION
1	1	FL1	36
2	1	QF003	H3001388
3	1	RF2003	H1102163
4	1	RF2005	H1102163

TUNER CONTROL UNIT



TUNER BLOCK DIAGRAM



TUNER-MAIN UNIT

